

Victoria with back rest picnic table and bench set

Before you commence the assembly process, we recommend that you read these instructions thoroughly beforehand to familiarise yourself with the assembly process and to also check that you have the correct components. If for any reason you need assistance, you can find our contact details on the top of page of these instructions.

We highly recommend that any assembly is carried out on a flat, level surface if possible and that you use another person to assist you if necessary.

You can check our **YouTube channel** for assemble video.

[Please click here](#)

Package contents

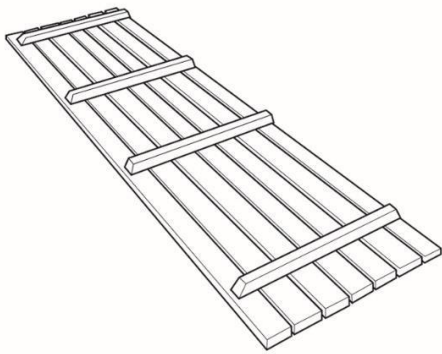
1x Tabletop
2x Seats
2x Back rest panels
2x Table A-frames
4x Bench A-frames
4x Long back rest braces
6x Braces (2x longer for the table and 4 shorter for the benches)
***3ft/4ft Version have only 2x rectangular braces for the benches and 2x for the table**
70mm coach & Black caps

Tools required

10mm socket head
Spanner or battery-operated drill

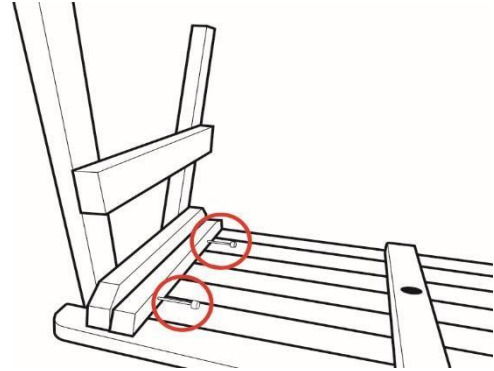


Step 1



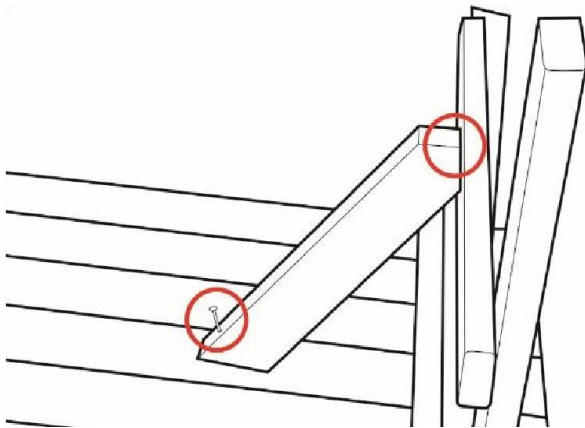
Lay the tabletop upside down on a clean, flat surface taking care not to damage it. Now line up one of the table A-frames centrally on the tabletop as shown in step 2

Step 2



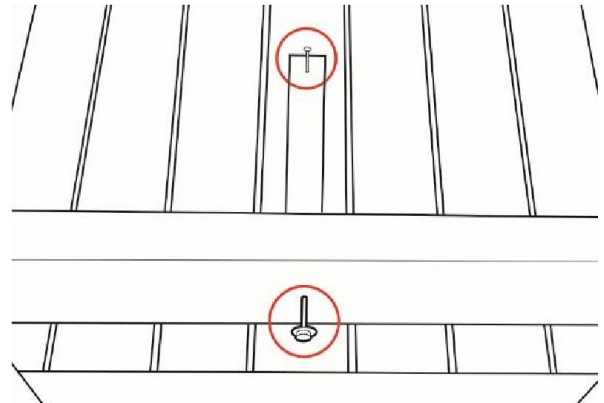
Place one of the table A-frames centrally against the fixing batten ensuring that the gap at the table edge is the same on both sides. Now, using 2 of the supplied coach screws and the predrilled holes, secure the table A-frame to the fixing batten on the tabletop.

Step 3



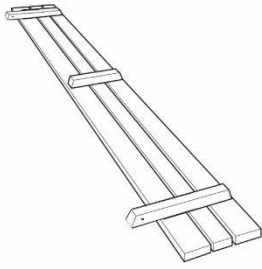
Place a longer cross brace in position as shown, ensuring that it is flush with the underside of the table A frame and proceed to step 4.

Step 4



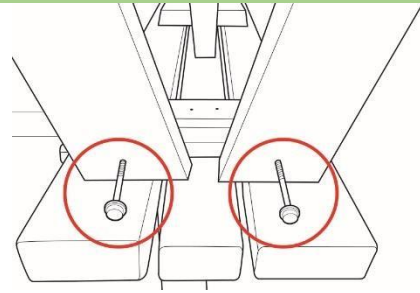
Ensure that the brace is lined up centrally on the table and attach it to the A-frame with a coach screw.

Step 5



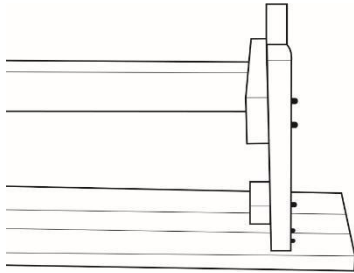
Lay one of the bench seats face down on the flat surface as you did with the tablet. **Make sure that you are using benchtop with extended braces.**

Step 6



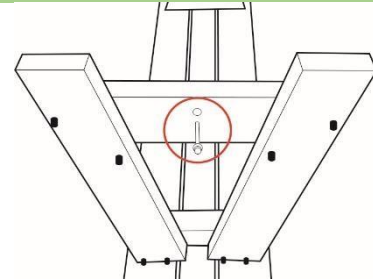
Place one of the bench A-frames centrally against the fixing batten ensuring that the gap at the bench edge is the same on both sides. Now, using 2 of the supplied coach screws and the predrilled holes, secure the bench A-frame to the fixing batten on the seat and repeat for the remaining 3 A-frames.

Step 7



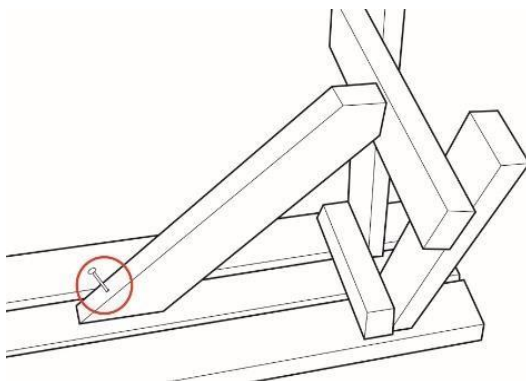
For a 3ft or 4ft set, take one of the bench braces (rectangular) and align it between the two A-frames.

Step 8



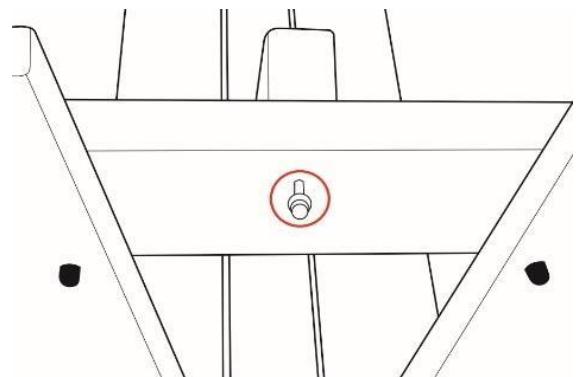
Secure into place using 2 coach screws at either end as shown.

Step 9



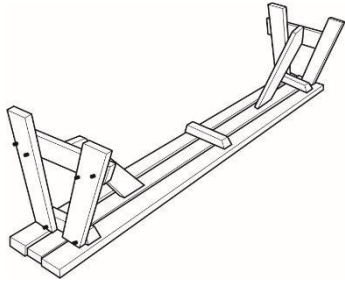
For a 5ft to 8ft set, place a shorter brace aligned centrally on the seat as shown and affix to the bench with a coach screw.

Step 10



Ensure that the brace is lined up centrally on the bench and attach it to the A-frame with a coach screw.

Step 11



Add the remaining braces to both seat assemblies

Step 12



Lay bench on the side facing extended bench braces. Align brace with the edge of the middle A-frame brace and secure via pilot holes.

Step 13



Place bench back on its feet and slide in backrest panel into place. For this step, you will require assistance if possible. Secure back panel via two pilot holes, on both sides.

Step 14



Your finished bench should look like this.



Finally, turn all completed pieces' right way up and cover any exposed coach screw heads with the cover caps provided. Your Victoria picnic table and bench set are now complete.

Your picnic table and bench set are now completed!

We hope that you found your product quick and easy to assemble but if not and you require further assistance or have any questions you can contact us via details above.

Also, you can check our YouTube channel for assemble videos, click on the link below:

<https://www.youtube.com/watch?v=2Nb7GCCKK7s&t=2s>

Or

Type in YouTube search box Arbor Garden Solutions