

Generic Yews and Aspen picnic table and bench set build instructions

Before you commence the assembly process, we recommend that you read these instructions thoroughly beforehand to familiarise yourself with the assembly process and to also check that you have the correct components. If for any reason you need assistance, you can find our contact details on the top of page of these instructions.

We highly recommend that any assembly is carried out on a flat, level surface if possible and that you use another person to assist you if necessary.

You can check our **YouTube channel** for assemble video.

[Please click here](#)

Package contents

1x Table Top
2x Seats
2x Table leg frames
4x Bench leg frames
2x Pointed table braces
4x Bench braces
24x M8 Coach screws
24x Black caps

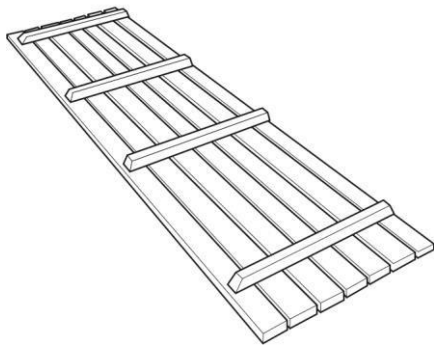
Tools required

Electric screwdriver (No.2 Pozi bit) or Spanner
10mm socket head



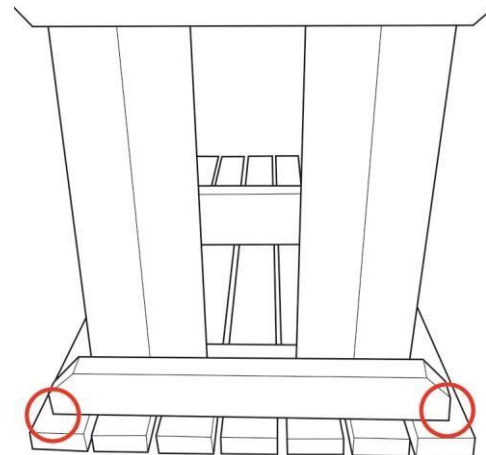
Step 1

Step 2



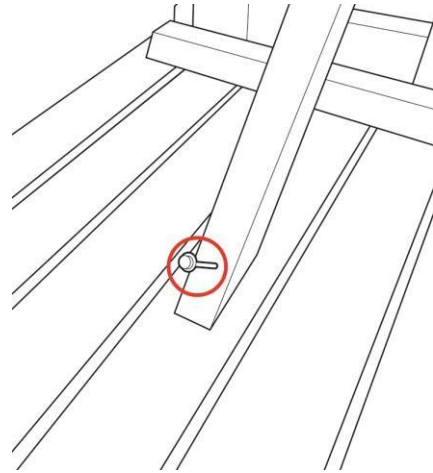
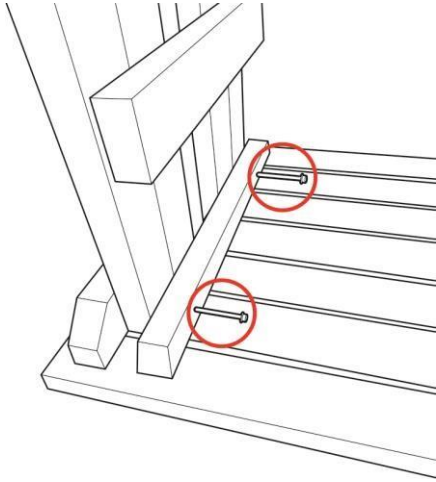
Lay the tabletop upside down on a clean, flat surface taking care not to damage it.

Step 3



Place one of the table frames centrally against the fixing batten ensuring that the gap at the table edge is the same on both sides. **(Make sure wide panel is placed to the tabletop and narrower to the floor)**

Step 4

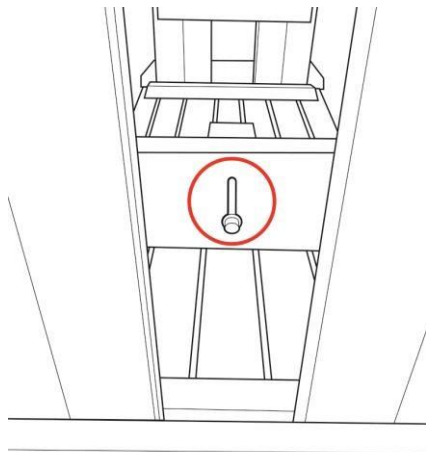


Using 2 of the supplied coach screws and the pre-drilled holes, secure the table leg frame to the tabletop. step 4.

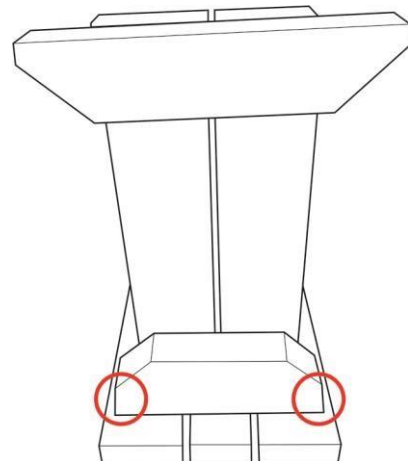
Place a cross brace in position as shown, ensuring that it is flush with the underside of the table frame and proceed to the

Step 5

Step 4.2

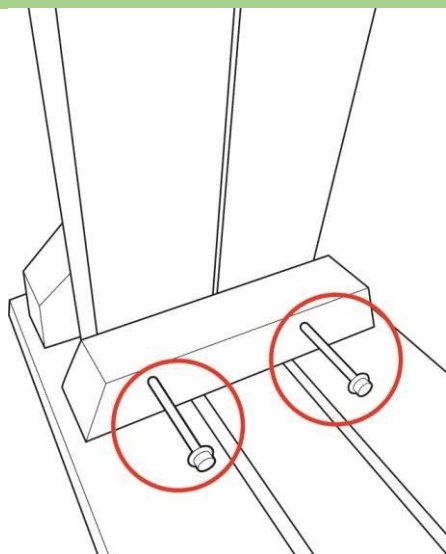


Ensure that the brace is lined up centrally on the table and attach it to the frame using pre-drilled hole and a coach screw. (repeat steps 2 to 5 for the other side)



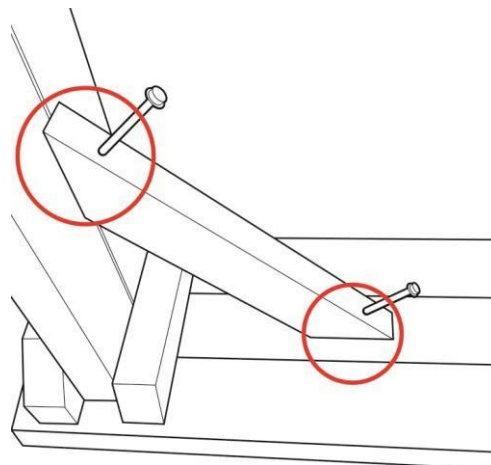
Lay one of the bench seats face down on the flat surface as you did with the tabletop. Place one of the bench frames centrally against the fixing batten ensuring that the gap at the bench edge is the same on both sides. **(Make sure wide panel is placed to the bench top and narrower to the floor)**

Step 4.1



Using 2 of the supplied coach screws and the predrilled holes, secure the bench frame to the fixing batten on the seat.

Step 4.2



Place a cross brace in position as you did for the table, again ensuring that it is flush with the underside of the bench holes, frame. Ensure that the brace is lined up centrally on the bench and attach it to the frame with a coach screw.

(Repeat steps to complete the assembly of the 2 benches)

Your picnic table and bench set are now completed!

We hope that you found your product quick and easy to assemble but if not and you require further assistance or have any questions you can contact us via details above.

Also, you can check our **YouTube channel** for assemble videos, click on the link below:

<https://youtu.be/lubuj22M6hc>

Or

Type in YouTube search box Arbor Garden Solutions.